

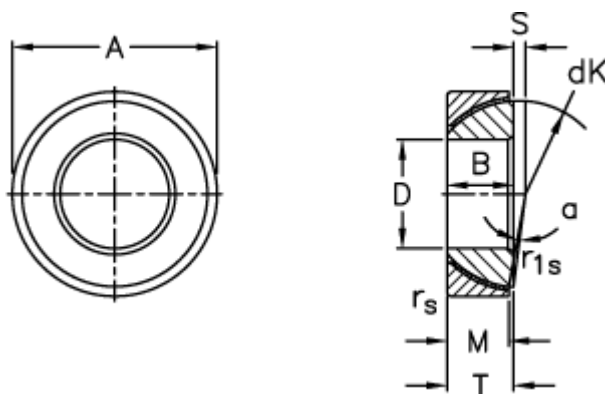
# Data Sheet



Article number: 03510085

Description: Fluro Rod end GE 85SW

## Measures



A = 130 0 -0,020

B = 29

D = 85 0 -0,020

dK = 122

Dynamic load C (kN) = 495

M = 26.5

rs, r1s min = 1.1

S = 9.4

Static load C0 (kN) = 990

T = 29 +0,25 -0,60

Tilt angle = 2

Weight = 1610